

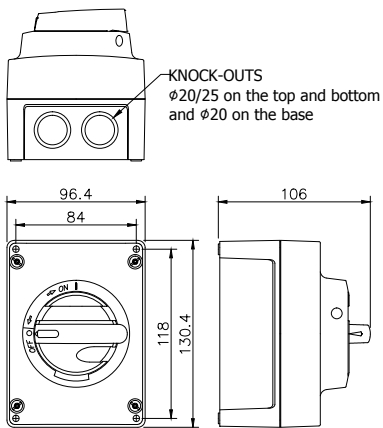
# UL 60947-4-1A LISTED POLYCARBONATE ENCLOSED MANUAL MOTOR CONTROLLERS WITH DISCONNECTOR MEANS 16-150 A



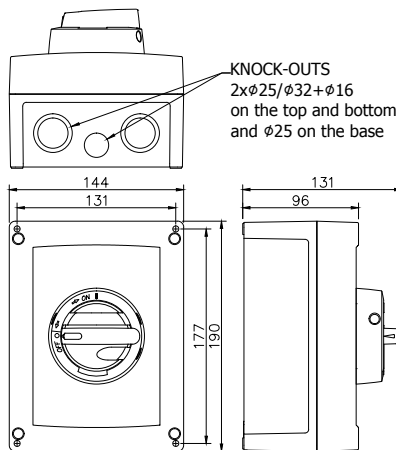
- Type 4X enclosure
- Across the line, motor starting up to 75HP/600V
- General use rating 25A to 150A/600V
- Retrofit snap on auxiliary contacts
- Padlockable



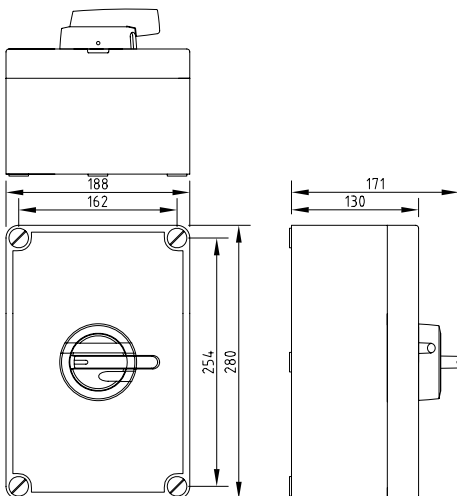
U2



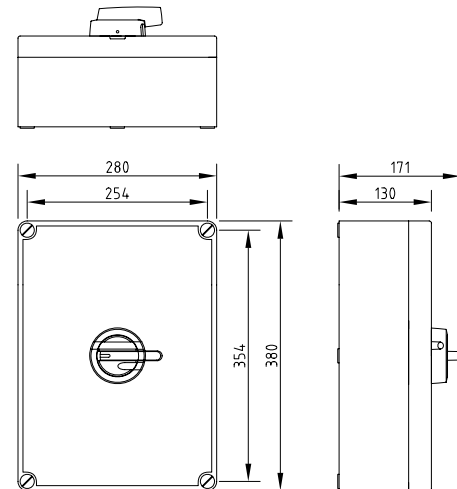
U3



MF10



MF11UL



## UL 60947-4-1A LISTED POLYCARBONATE ENCLOSED MANUAL MOTOR CONTROLLERS WITH DISCONNECTOR MEANS 16-150 A

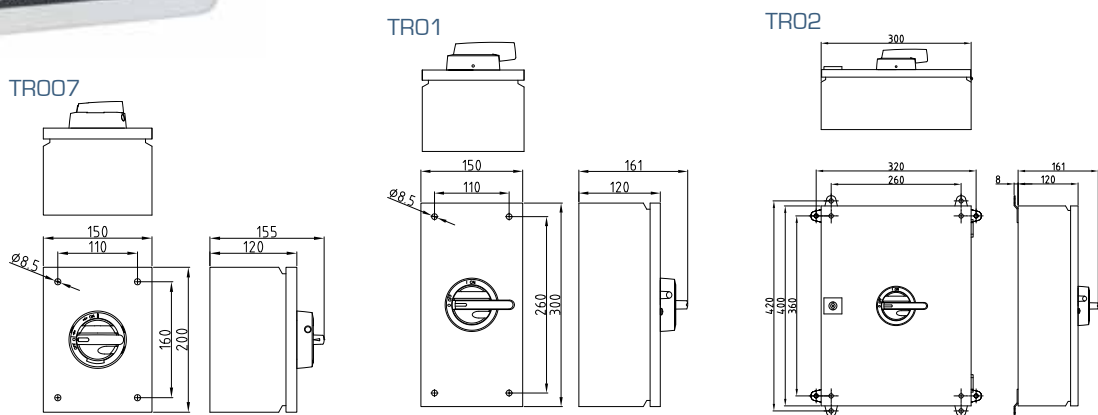


Type		Ampere rating (600 V)	208V	415V	480V	600V	EAN-Code 6419410...		Wire size Cu only	Enclosure	Weight kg
Grey/black	Yellow/red						Grey/black	Yellow/red			
<b>3-poles</b>											
KEM 316UL	KEM 316UL Y/R	16 A	3HP	7.5HP	10HP	7.5HP	...351703	...351772	14-8AWG	U2	0.5
KEM 325UL	KEM 325UL Y/R	25 A	5HP	10HP	15HP	10HP	...351246	...351352	14-8AWG	U2	0.5
KEM 340UL	KEM 340UL Y/R	40 A	7.5HP	15HP	20HP	15HP	...351277	...351383	14-8AWG	U3	0.7
KEM 360UL	KEM 360UL Y/R	60 A	10HP	20HP	25HP	25HP	...351307	...351413	12-4AWG	U3	0.7
KEM 380UL	KEM 380UL Y/R	80 A	15HP	25HP	30HP	40HP	...351338	...351444	8-1/OAWG	U3	2.2
KEM 3100L	KEM 3100L Y/R	100 A	15HP	30HP	40HP	50HP	...344163	...351154	8-1/OAWG	MF10	2.4
KEM 3125L	KEM 3125L Y/R	125 A	20HP	40HP	50HP	60HP	...344194	...351185	8-1/OAWG	MF10	2.4
KEM 3150L	KEM 3150L Y/R	150 A	25HP	50HP	60HP	75HP	...344224	...351215	8-1/OAWG	MF11UL	3.3
<b>4-poles</b>											
KEM 416UL	KEM 416UL Y/R	16 A	3HP	7.5HP	10HP	7.5HP	...351710	...351789	14-8AWG	U2	0.5
KEM 425UL	KEM 425UL Y/R	25 A	5HP	10HP	15HP	10HP	...351253	...351369	14-8AWG	U2	0.5
KEM 440UL	KEM 440UL Y/R	40 A	7.5HP	15HP	20HP	15HP	...351284	...351390	14-8AWG	U3	0.7
KEM 460UL	KEM 460UL Y/R	60 A	10HP	20HP	25HP	25HP	...351314	...351420	12-4AWG	U3	0.7
KEM 480UL	KEM 480UL Y/R	80 A	15HP	25HP	30HP	40HP	...351345	...351451	8-1/OAWG	U3	2.3
KEM 4100L	KEM 4100L Y/R	100 A	15HP	30HP	40HP	50HP	...344170	...351161	8-1/OAWG	MF10	2.6
KEM 4125L	KEM 4125L Y/R	125 A	20HP	40HP	50HP	60HP	...344200	...351192	8-1/OAWG	MF10	2.6
KEM 4150L	KEM 4150L Y/R	150 A	25HP	50HP	60HP	75HP	...344231	...351222	8-1/OAWG	MF11UL	3.4
<b>6-poles</b>											
KEM 616UL	KEM 616UL Y/R	16 A	3HP	7.5HP	10HP	7.5HP	...351727	...351796	14-8AWG	U3	0.9
KEM 625UL	KEM 625UL Y/R	25 A	5HP	10HP	15HP	10HP	...351260	...351376	14-8AWG	U3	0.9
KEM 640UL	KEM 640UL Y/R	40 A	7.5HP	15HP	20HP	15HP	...351291	...351406	14-8AWG	U3	0.9
KEM 660UL	KEM 660UL Y/R	60 A	10HP	20HP	25HP	25HP	...351321	...351437	12-4AWG	U3	0.9
KEM 680L	KEM 680L Y/R	80 A	15HP	25HP	30HP	40HP	...344156	...351147	8-1/OAWG	MF11UL	3.8
KEM 6100L	KEM 6100L Y/R	100 A	15HP	30HP	40HP	50HP	...344187	...351178	8-1/OAWG	MF11UL	3.8
KEM 6125L	KEM 6125L Y/R	125 A	20HP	40HP	50HP	60HP	...344217	...351208	8-1/OAWG	MF11UL	3.8
KEM 6150L	KEM 6150L Y/R	150 A	25HP	50HP	60HP	75HP	...344248	...351239	8-1/OAWG	MF11UL	3.8

# UL 60947-4-1A LISTED MANUAL MOTOR CONTROLLERS SHEET STEEL ENCLOSED 16-150 A



- Type 4 enclosure
- Across the line, motor starting- up to 75HP/600V
- General use rating from 16A to 150A/600V
- Retrofit snap on auxiliary contacts
- Padlockable

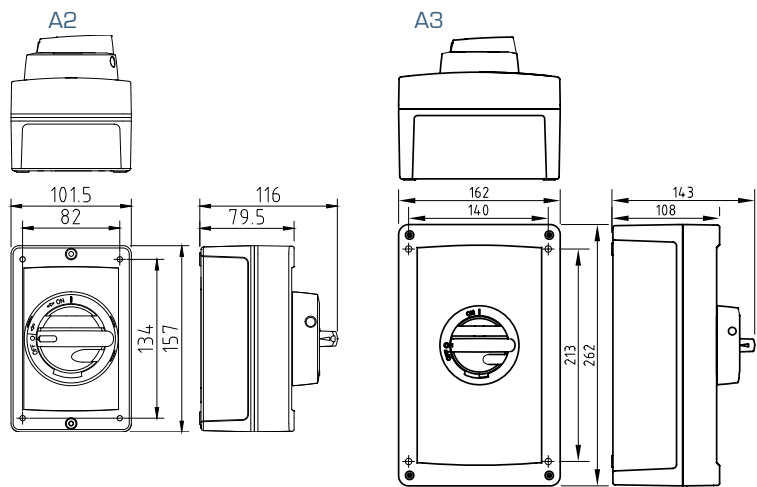


Type		Ampere rating (600 V)	208 V	415 V	480 V	600 V	EAN-Code		Wire size Cu only	Enclosure	Weight kg
Grey/Black	Yellow/Red						Grey/Black	Yellow/Red			
<b>3-poles</b>											
KET 316UL	KET 316UL Y/R	16 A	3HP	7.5HP	10HP	7.5HP	...348765	...349007	14-8AWG	TRO07	2.1
KET 325UL	KET 325UL Y/R	25 A	5HP	10HP	15HP	10HP	...348796	...349038	14-8AWG	TRO07	2.1
KET 340UL	KET 340UL Y/R	40 A	7.5HP	15HP	20HP	15HP	...348826	...349069	14-8AWG	TRO07	2.1
KET 360UL	KET 360UL Y/R	60 A	10HP	20HP	25HP	25HP	...348857	...349090	12-4AWG	TRO1	4.0
KET 380UL	KET 380UL Y/R	80 A	15HP	25HP	30HP	40HP	...348888	...349120	8-1/OAWG	TRO1	4.3
KET 3100UL	KET 3100UL Y/R	100 A	15HP	30HP	40HP	50HP	...348918	...349151	8-1/OAWG	TRO1	4.3
KET 3125UL	KET 3125UL Y/R	125 A	20HP	40HP	50HP	60HP	...348949	...349182	8-1/OAWG	TRO1	4.3
KET 3150UL	KET 3150UL Y/R	150 A	25HP	50HP	60HP	75HP	...348970	...349212	8-1/OAWG	TRO2	9.7
<b>4-poles</b>											
KET 416UL	KET 416UL Y/R	16 A	3HP	7.5HP	10HP	7.5HP	...348772	...349014	14-8AWG	TRO07	2.2
KET 425UL	KET 425UL Y/R	25 A	5HP	10HP	15HP	10HP	...348802	...349045	14-8AWG	TRO07	2.2
KET 440UL	KET 440UL Y/R	40 A	7.5HP	15HP	20HP	15HP	...348833	...349076	14-8AWG	TRO07	2.2
KET 460UL	KET 460UL Y/R	60 A	10HP	20HP	25HP	25HP	...348864	...349106	12-4AWG	TRO1	4.1
KET 480UL	KET 480UL Y/R	80 A	15HP	25HP	30HP	40HP	...348895	...349137	8-1/OAWG	TRO1	4.3
KET 4100UL	KET 4100UL Y/R	100 A	15HP	30HP	40HP	50HP	...348925	...349168	8-1/OAWG	TRO1	4.3
KET 4125UL	KET 4125UL Y/R	125 A	20HP	40HP	50HP	60HP	...348956	...349199	8-1/OAWG	TRO1	4.3
KET 4150UL	KET 4150UL Y/R	150 A	25HP	50HP	60HP	75HP	...348987	...349229	8-1/OAWG	TRO2	9.9
<b>6-poles</b>											
KET 616UL	KET 616UL Y/R	16 A	3HP	7.5HP	10HP	7.5HP	...348789	...349021	14-8AWG	TRO07	2.4
KET 625UL	KET 625UL Y/R	25 A	5HP	10HP	15HP	10HP	...348819	...349052	14-8AWG	TRO07	2.4
KET 640UL	KET 640UL Y/R	40 A	7.5HP	15HP	20HP	15HP	...348840	...349083	14-8AWG	TRO07	2.4
KET 660UL	KET 660UL Y/R	60 A	10HP	20HP	25HP	25HP	...348871	...349113	12-4AWG	TRO1	4.3
KET 680UL	KET 680UL Y/R	80 A	15HP	25HP	30HP	40HP	...348901	...349144	8-1/OAWG	TRO2	8.6
KET 6100UL	KET 6100UL Y/R	100 A	15HP	30HP	40HP	50HP	...348932	...349175	8-1/OAWG	TRO2	8.6
KET 6125UL	KET 6125UL Y/R	125 A	20HP	40HP	50HP	60HP	...348963	...349205	8-1/OAWG	TRO2	8.6
KET 6150UL	KET 6150UL Y/R	150 A	25HP	50HP	60HP	75HP	...348994	...349236	8-1/OAWG	TRO2	8.6

# UL 60947-4-1A LISTED MANUAL MOTOR CONTROLLERS ALUMINIUM ENCLOSED 16-125 A



- Type 4 enclosure
- Across the line, motor starting- up to 75HP/600V
- General use rating from 16A to 125A/600V
- Retrofit snap on auxiliary contacts
- Padlockable



Type		Ampere rating (600 V)	208 V	415 V	480 V	600 V	EAN-Code 6419410...		Wire size Cu only	Enclosure	Weight kg
Grey/Black	Yellow/Red						Grey/Black	Yellow/Red			
<b>3-poles</b>											
KEA 316UL	KEA 316UL Y/R	16 A	3HP	7.5HP	10HP	7.5HP	...348406	...348581	14-8AWG	A2	0.8
KEA 325UL	KEA 325UL Y/R	25 A	5HP	10HP	15HP	10HP	...348437	...348611	14-8AWG	A2	0.8
KEA 340UL	KEA 340UL Y/R	40 A	7.5HP	15HP	20HP	15HP	...348468	...348642	14-8AWG	A2	0.8
KEA 360UL	KEA 360UL Y/R	60 A	10HP	20HP	25HP	25HP	...348499	...348673	12-4AWG	A3	2
KEA 380UL	KEA 380UL Y/R	80 A	15HP	25HP	30HP	40HP	...348529	...348703	8-1/OAWG	A3	2,3
KEA 3100UL	KEA 3100UL Y/R	100 A	15HP	30HP	40HP	50HP	...348543	...348727	8-1/OAWG	A3	2,3
KEA 3125UL	KEA 3125UL Y/R	125 A	20HP	40HP	50HP	60HP	...348567	...348741	8-1/OAWG	A3	2,3
<b>4-poles</b>											
KEA 416UL	KEA 416UL Y/R	16 A	3HP	7.5HP	10HP	7.5HP	...348413	...348598	14-8AWG	A2	0.9
KEA 425UL	KEA 425UL Y/R	25 A	5HP	10HP	15HP	10HP	...348444	...348628	14-8AWG	A2	0.9
KEA 440UL	KEA 440UL Y/R	40 A	7.5HP	15HP	20HP	15HP	...348475	...348659	14-8AWG	A2	0.9
KEA 460UL	KEA 460UL Y/R	60 A	10HP	20HP	25HP	25HP	...348505	...348680	12-4AWG	A3	2.1
KEA 480UL	KEA 480UL Y/R	80 A	15HP	25HP	30HP	40HP	...348536	...348710	8-1/OAWG	A3	2.4
KEA 4100UL	KEA 4100UL Y/R	100 A	15HP	30HP	40HP	50HP	...348550	...348734	8-1/OAWG	A3	2.4
KEA 4125UL	KEA 4125UL Y/R	125 A	20HP	40HP	50HP	60HP	...348574	...348758	8-1/OAWG	A3	2.4
<b>6-poles</b>											
KEA 616UL	KEA 616UL Y/R	16 A	3HP	7.5HP	10HP	7.5HP	...348420	...348604	14-8AWG	A3	2.3
KEA 625UL	KEA 625UL Y/R	25 A	5HP	10HP	15HP	10HP	...348451	...348635	14-8AWG	A3	2.3
KEA 640UL	KEA 640UL Y/R	40 A	7.5HP	15HP	20HP	15HP	...348482	...348666	14-8AWG	A3	2.3
KEA 660UL	KEA 660UL Y/R	60 A	10HP	20HP	25HP	25HP	...348512	...348697	12-4AWG	A3	2.3

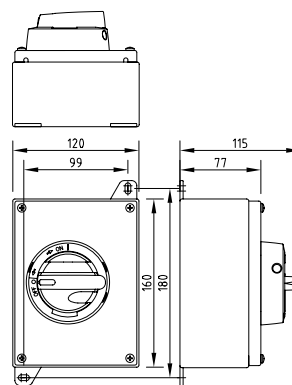
## UL 60947-4-1A LISTED STAINLESS STEEL ENCLOSED MANUAL MOTOR CONTROLLERS WITH DISCONNECTOR MEANS 16-125 A



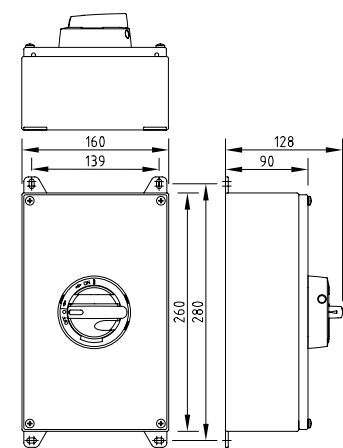
- Type 4X enclosure
- Across the line, motor starting- up to 75HP/600V
- General use rating from 25A to 125A/600V
- Retrofit snap on auxiliary contacts
- Padlockable



H23



H32

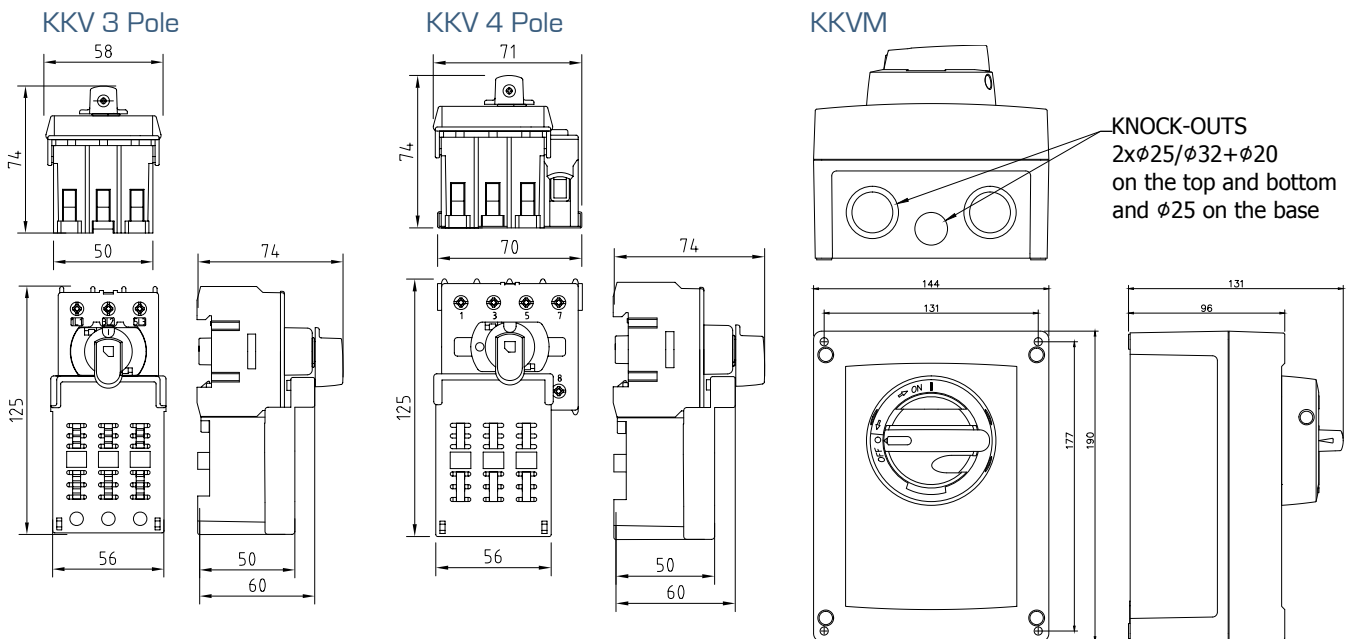


Type		Ampere rating (600 V)	208V	415V	480V	600V	EAN-Code 6419410...		Wire size Cu only	Enclosure	Weight kg
Grey/black	Yellow/red						Grey/black	Yellow/red			
<b>3-poles</b>											
KER 316UL	KER 316UL Y/R	16 A	3HP	7.5HP	10HP	7.5HP	...347300	...347546	14-8AWG	H23	1.2
KER 325UL	KER 325UL Y/R	25 A	5HP	10HP	15HP	10HP	...347317	...347553	14-8AWG	H23	1.2
KER 340UL	KER 340UL Y/R	40 A	7.5HP	15HP	20HP	15HP	...347362	...347607	14-8AWG	H23	1.2
KER 360UL	KER 360UL Y/R	60 A	10HP	20HP	25HP	25HP	...347393	...347638	12-4AWG	H32	2.2
KER 380UL	KER 380UL Y/R	80 A	15HP	25HP	30HP	40HP	...347423	...347669	8-1/OAWG	H32	2.2
KER 3100UL	KER 3100UL Y/R	100 A	15HP	30HP	40HP	50HP	...347454	...347690	8-1/OAWG	H32	2.5
KER 3125UL	KER 3125UL Y/R	125 A	20HP	40HP	50HP	60HP	...347485	...347720	8-1/OAWG	H32	2.5
KER 3150UL	KER 3150UL Y/R	150 A	25HP	50HP	60HP	75HP	...347515	...347751	8-1/OAWG	H32	2.5
<b>4-poles</b>											
KER 416UL	KER 416UL Y/R	16 A	3HP	7.5HP	10HP	7.5HP	...347324	...347560	14-8AWG	H23	1.2
KER 425UL	KER 425UL Y/R	25 A	5HP	10HP	15HP	10HP	...347331	...347577	14-8AWG	H23	1.2
KER 440UL	KER 440UL Y/R	40 A	7.5HP	15HP	20HP	15HP	...347379	...347614	14-8AWG	H23	1.2
KER 460UL	KER 460UL Y/R	60 A	10HP	20HP	25HP	25HP	...347409	...347645	12-4AWG	H32	2.2
KER 480UL	KER 480UL Y/R	80 A	15HP	25HP	30HP	40HP	...347430	...347676	8-1/OAWG	H32	2.2
KER 4100UL	KER 4100UL Y/R	100 A	15HP	30HP	40HP	50HP	...347461	...347706	8-1/OAWG	H32	2.5
KER 4125UL	KER 4125UL Y/R	125 A	20HP	40HP	50HP	60HP	...347492	...347737	8-1/OAWG	H32	2.5
KER 4150UL	KER 4150UL Y/R	150 A	25HP	50HP	60HP	75HP	...347522	...347768	8-1/OAWG	H32	2.5
<b>6-poles</b>											
KER 616UL	KER 616UL Y/R	16 A	3HP	7.5HP	10HP	7.5HP	...347348	...347584	14-8AWG	H32	2.5
KER 625UL	KER 625UL Y/R	25 A	5HP	10HP	15HP	10HP	...347355	...347591	14-8AWG	H32	2.5
KER 640UL	KER 640UL Y/R	40 A	7.5HP	15HP	20HP	15HP	...347386	...347621	14-8AWG	H32	2.5
KER 660UL	KER 660UL Y/R	60 A	10HP	20HP	25HP	25HP	...347416	...347652	12-4AWG	H32	2.5

# KKV SWITCH FUSE 32 A



- UL 60947-4-1A
- CCA, CB certificates
- ISO 9001
- Available as 3-pole and 4-pole
- Consists of a KU switch and a fuse holder
- KKV 332 for 10 x 38 fuse
- KKV 332 CC for class CC fuse
- Compatible with handles LK10UL and LK11UL
- Shafts L=100/200/300 AD11 and L=100/200/300 AD11/VT

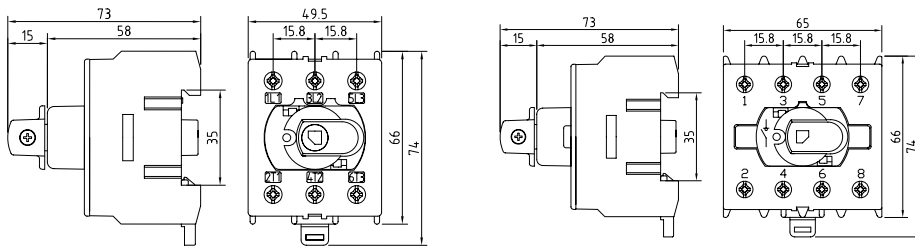


Type	Amp rating	208V	415V	480V	600V	Wire size	EAN	Weight
	(600V)					Cu only		kg
KKV 332	32A	7.5HP	15HP	20HP	15HP	14-8 AWG	6419410212806	0,32
KKV 332 CC	32A	7.5HP	15HP	20HP	15HP	14-8 AWG	6419410212813	0,32

## UL LISTED PRODUCTS KU SERIES 16-63 A



- Rotary switch with direct or extended handle
- UL 60947-4-1A
- CCA, CB certificates
- ISO 9001
- Compact size
- DIN-rail mounting
- Switch technology by means of silver contacts ensures safe and durable operation
- Extended handle version compatible with handles LK10UL, LK11UL and shafts L=100/200/300 AD11, L=100/200/300 AD11/VT
- Direct handle version compatible with front plates K/KU



KU

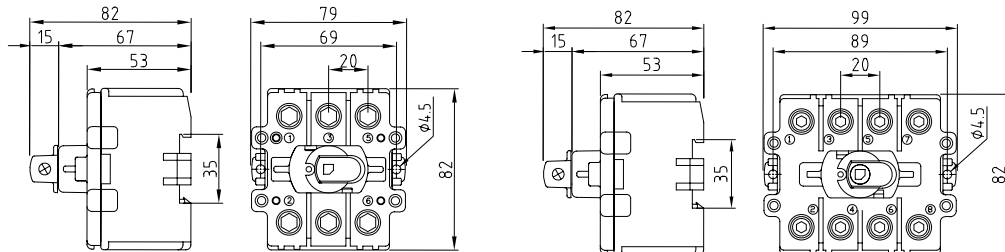
Type	Ampere rating (600V)	208V	415V	480V	600V	Wire size Cu only	EAN code	Weight kg
<b>EXTENDED HANDLE</b>								
<b>3-pole</b>								
KU 316N	16A	3HP	7.5HP	10HP	7.5HP	14-8 AWG	6419410214305	0,19
KU 325N	25A	5HP	10HP	15HP	10HP	14-8 AWG	6419410214404	0,19
KU 340N	40A	7.5HP	15HP	20HP	15HP	14-8 AWG	6419410214503	0,19
KU 363N	60A	10HP	20HP	25HP	25HP	12-4 AWG	6419410214602	0,19
<b>4-pole</b>								
KU 416N	16A	3HP	7.5HP	10HP	7.5HP	14-8 AWG	6419410215005	0,22
KU 425N	25A	5HP	10HP	15HP	10HP	14-8 AWG	6419410215203	0,22
KU 440N	40A	7.5HP	15HP	20HP	15HP	14-8 AWG	6419410215500	0,22
KU 463N	60A	10HP	20HP	25HP	25HP	12-4 AWG	6419410215906	0,22



## UL LISTED PRODUCTS VKA SERIES 80-150 A



- Rotary switch with direct or extended handle
- UL 60947-4-1A
- CCA, CB certificates
- ISO 9001
- Compact size
- Switch technology by means of silver contacts ensures safe and durable operation
- Extended handle version compatible with handles LK10UL, LK11UL and shafts L=100/200 AD11, L=100/200/300 AD11/VT
- Direct handle version compatible with front plates K/VKA



VKA

Type	Ampere rating (600V)	208V	415V	480V	600V	Wire size Cu only	EAN code	Weight kg
<b>EXTENDED HANDLE</b>								
<b>3-pole</b>								
VKA 380N	80A	15HP	25HP	30HP	40HP	8-1/0 AWG	6419410217443	0,51
VKA 3100N	100A	15HP	30HP	40HP	50HP	8-1/0 AWG	6419410217450	0,51
VKA 3125N	125A	20HP	40HP	50HP	60HP	8-1/0 AWG	6419410217504	0,51
VKA 3160N	150A	25HP	50HP	60HP	75HP	8-1/0 AWG	6419410218006	0,51
<b>4-pole</b>								
VKA 480N	80A	15HP	25HP	30HP	40HP	8-1/0 AWG	6419410218440	0,66
VKA 4100N	100A	15HP	30HP	40HP	50HP	8-1/0 AWG	6419410218556	0,66
VKA 4125N	125A	20HP	40HP	50HP	60HP	8-1/0 AWG	6419410218600	0,66
VKA 4160N	150A	25HP	50HP	60HP	75HP	8-1/0 AWG	6419410219102	0,66



## UL LISTED PRODUCTS KUE SERIES 16-63 A & EVA SERIES 80-150 A

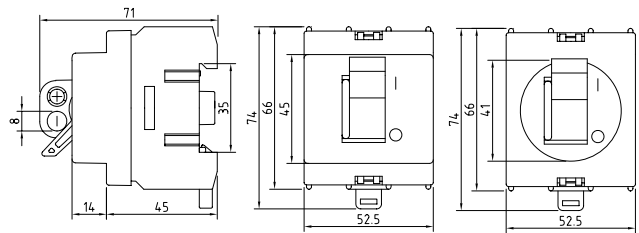


KUE

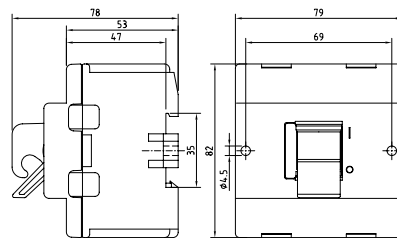
- Toggle handle
- UL 60947-4-1A
- CCA, CB certificates
- ISO 9001
- Compact size
- DIN-rail mounting
- 3-pole
- Switch technology by means of silver contacts ensures safe and durable operation
- Available with front plate K/KUE (rectangular) or R/KUE (circular)
- Available with yellow front plate and red toggle: add Y/R at the end of the product type



EVA



KUE

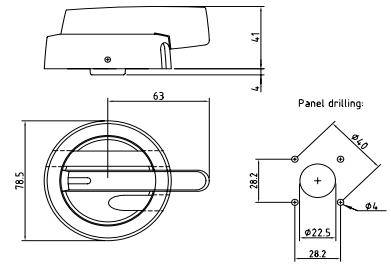
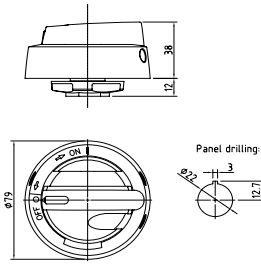


EVA

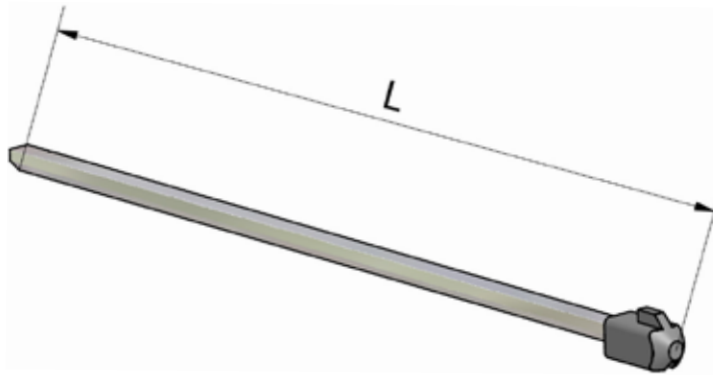
Type	Amp rating	208V	415V	480V	600V	Wire size	EAN	Weight
	(600V)					Cu only		
KUE 316	16A	3HP	7.5HP	10HP	7.5HP	14-8 AWG	6419410200308	0,17
KUE 325	25A	5HP	10HP	15HP	10HP	14-8 AWG	6419410200407	0,17
KUE 340	40A	7.5HP	15HP	20HP	15HP	14-8 AWG	6419410200506	0,17
KUE 363	60A	10HP	20HP	25HP	25HP	12-4 AWG	6419410200605	0,18
KUE 316 + K/KUE	16A	3HP	7.5HP	10HP	7.5HP	14-8 AWG	6419410200315	0,19
KUE 325 + K/KUE	25A	5HP	10HP	15HP	10HP	14-8 AWG	6419410200414	0,19
KUE 340 + K/KUE	40A	7.5HP	15HP	20HP	15HP	14-8 AWG	6419410200513	0,19
KUE 363 + K/KUE	60A	10HP	20HP	25HP	25HP	12-4 AWG	6419410200612	0,20
KUE 316 + R/KUE	16A	3HP	7.5HP	10HP	7.5HP	14-8 AWG	6419410200377	0,19
KUE 325 + R/KUE	25A	5HP	10HP	15HP	10HP	14-8 AWG	6419410200476	0,19
KUE 340 + R/KUE	40A	7.5HP	15HP	20HP	15HP	14-8 AWG	6419410200544	0,19
KUE 363 + R/KUE	60A	10HP	20HP	25HP	25HP	12-4 AWG	6419410200674	0,20

Type	Amp rating	208V	415V	480V	600V	Wire size	EAN	Weight
	(600V)					Cu only		
EVA 380 + K/EVA	80A	15HP	25HP	30HP	40HP	8-1/0 AWG	6419410202463	0,54
EVA 3100 + K/EVA	100A	15HP	30HP	40HP	50HP	8-1/0 AWG	6419410202470	0,54
EVA 3125 + K/EVA	125A	20HP	40HP	50HP	60HP	8-1/0 AWG	6419410202517	0,54
EVA 3160 + K/EVA	150A	25HP	50HP	60HP	75HP	8-1/0 AWG	6419410203019	0,54

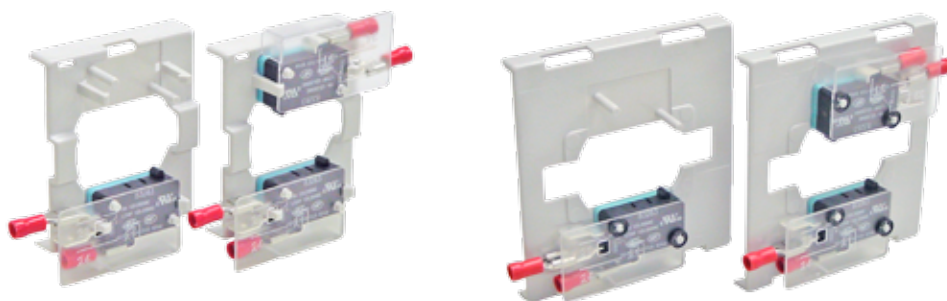
## UL LISTED PRODUCTS ACCESSORIES FOR KU AND VKA SERIES



Type	Colour	Description	EAN-code
LK10UL	Black	Type 4X rating	6419410222577
LK10UL Y/R	Yellow/red	Type 4X rating	6419410222584
LK11UL	Black	Type 4X rating	6419410222515
LK11UL Y/R	Yellow/red	Type 4X rating	6419410222522



Type	Description	EAN-code
L=100 AD11	Length 100 mm, aluminium	6419410253106
L=200 AD11	Length 200 mm, aluminium	6419410253113
L=300 AD11	Length 300 mm, aluminium	6419410253120
L=100 AD11/VT	Length 100 mm, steel, slanted	6419410253168
L=200 AD11/VT	Length 200 mm, steel, slanted	6419410253175
L=300 AD11/VT	Length 300 mm, steel, slanted	6419410253182

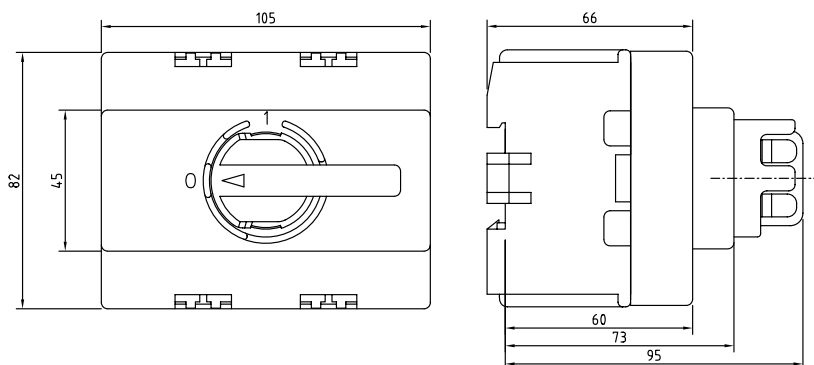
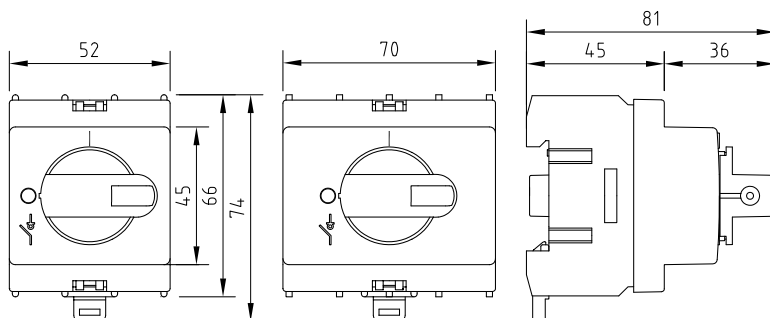


-16 A 1/2 HP 125/250 VAC

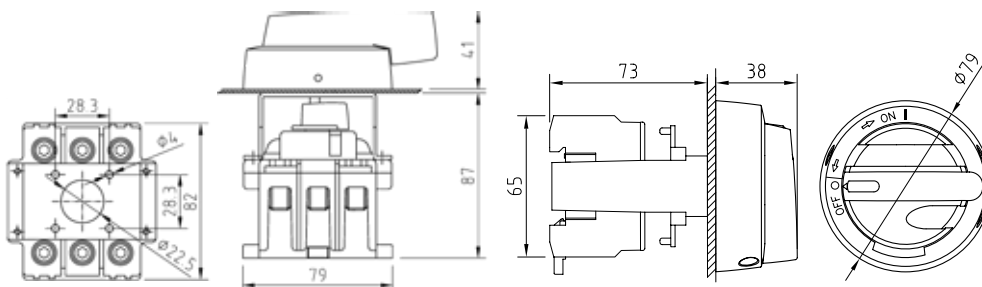
Type	For	Description	EAN-code
KU1.V	KU	1NO+1NC	6419410300008
KU2.V	KU	2NO+2NC	6419410300107
VKA 1.V	VKA	1NO+1NC	6419410300206
VKA 2.V	VKA	2NO+2NC	6419410300305

## UL LISTED PRODUCTS ACCESSORIES FOR KU AND VKA SERIES

-Front plates with direct handle for KU & VKA switches



Type	For	Description	EAN-code
K/KU 3P	KU 3P	Grey plate, black handle	6419410221600
K/KU 3P Y/R	KU 3P	Yellow plate, red handle	6419410221617
K/KU 4P	KU 4P	Grey plate, black handle	6419410222805
K/KU 4P Y/R	KU 4P	Yellow plate, red handle	6419410222812
K/VKA 3P-4P	VKA 3-4P	Grey plate, black handle	6419410218709
K/VKA 3P-4P Y/R	VKA 3-4P	Yellow plate, red handle	6419410218808



Type	For	Description	EAN-code
OKA/KU/LK10UL	KU	Black, for 3P switch, with LK10UL handle	6419410224724
OKA/KU/LK10UL Y/R	KU	Yellow/red, for 3P switch, with LK10UL handle	6419410224731
OKA/VKAUL	VKA	Black, for 3P switch, with LK11UL handle	6419410224748
OKA/VKAUL Y/R	VKA	Yellow/red, for 3P switch, with LK11UL handle	6419410224755