

Thank you for choosing Products of LSIS.
Please follow the guideline carefully for proper and safe use.

Check before installation

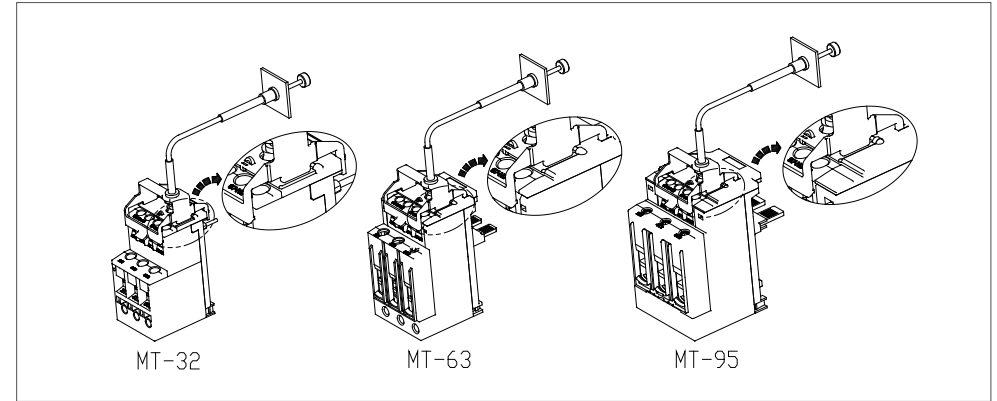
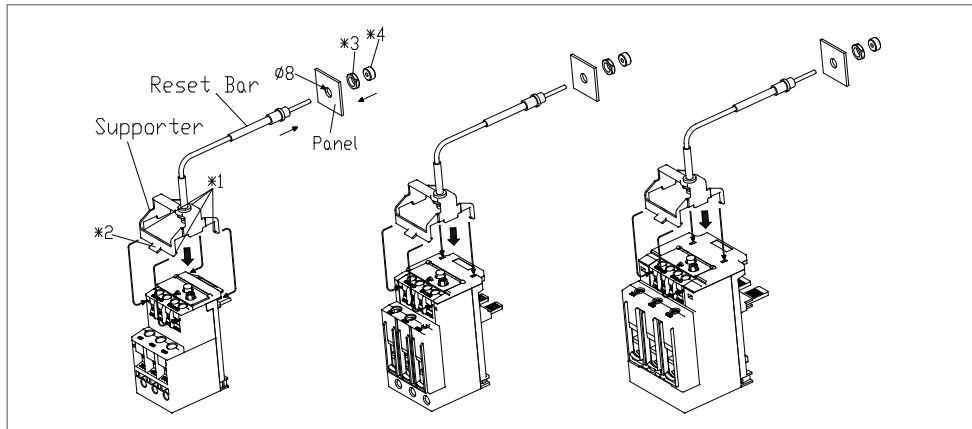
1. Please check if the product is the one that you ordered.
2. Please check if there is any damage or parts shortage.

Specifications

Type	Length	Code
UM-4R	400mm	84581831001
UM-5R	500mm	84581831002
UM-6R	600mm	84581831003

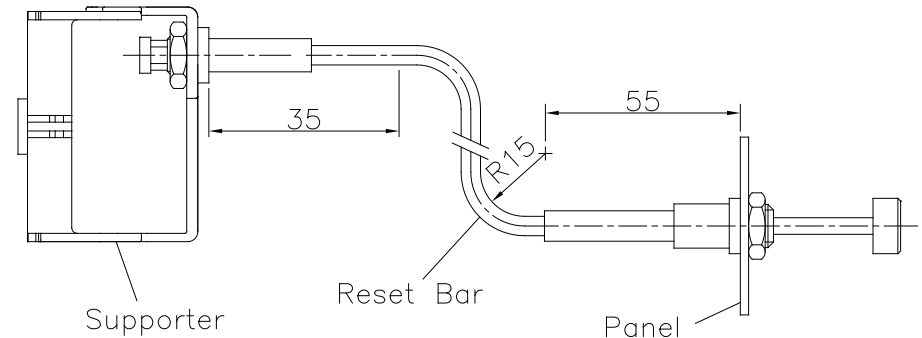
Installation

1. Insert the protruded part (*1) of Supporter to the edge and the hole in a TOR.
2. Separate the Nut(*3) and Head Cap(*4) from a Reset Bar,
Insert the Reset Bar into a hole in a panel and then fix the separated Nut(*3) and Head Cap(*4) to the Reset Bar.
3. When you want to detach the attach supporter from a TOR, lift up the part *2 and unlatch it from TOR.



Cautions

1. Please make sure that the lead wire do not bend within 55 from a panel and 35mm from a attach supporter.
2. Please make sure the semidiameter of a lead wire exceed 15mm.



HEAD OFFICE

Yonseijaedan Severance Bldg. 84-11, 5-ka, Namdaemun-ro,
Chung-Ku, Seoul, 100-753, Korea
Tel. 82 - 2 - 2034 - 4870 Fax. 82 - 2 - 2034 - 4713

LS Industrial Systems
www.lsis.biz