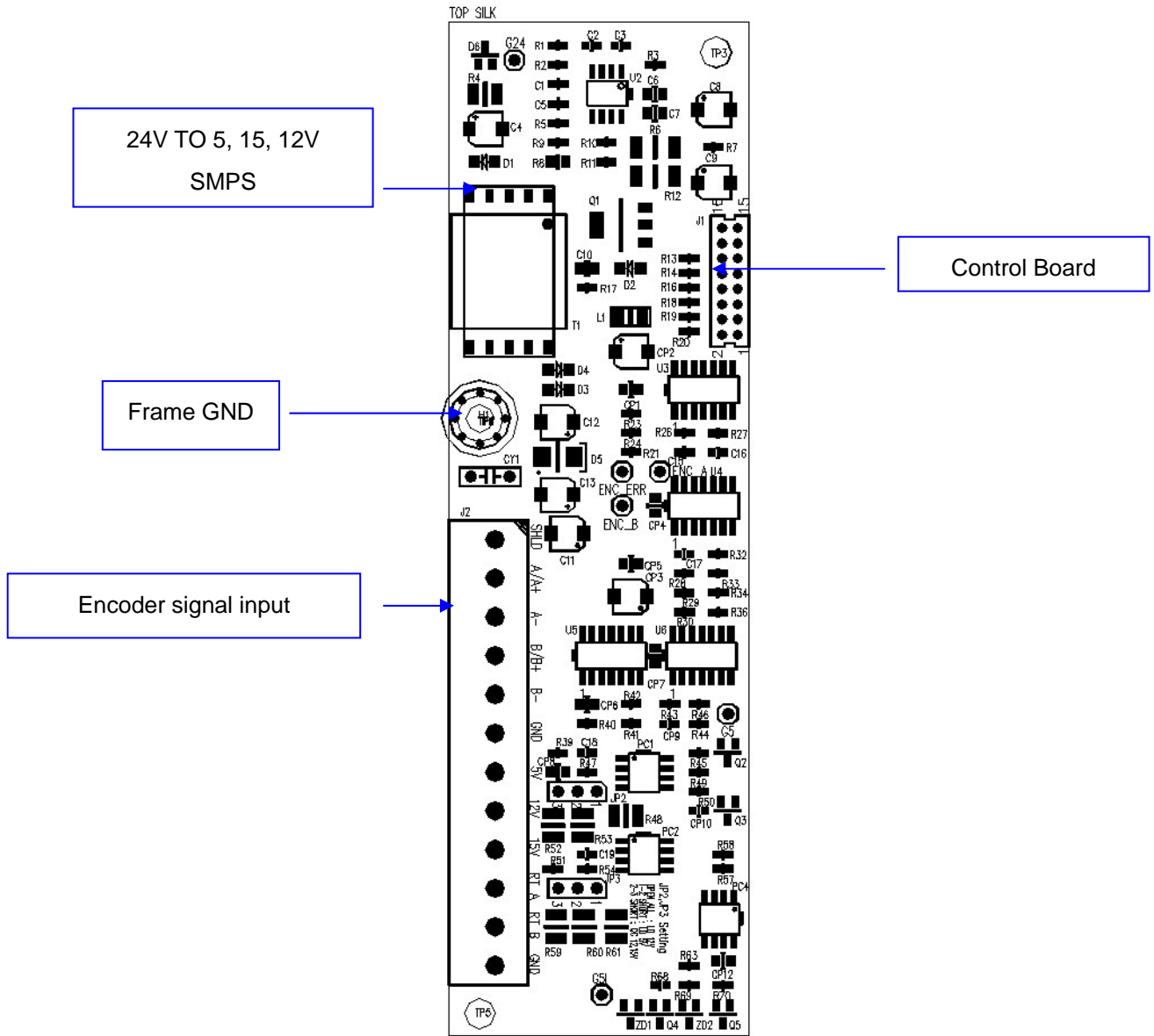
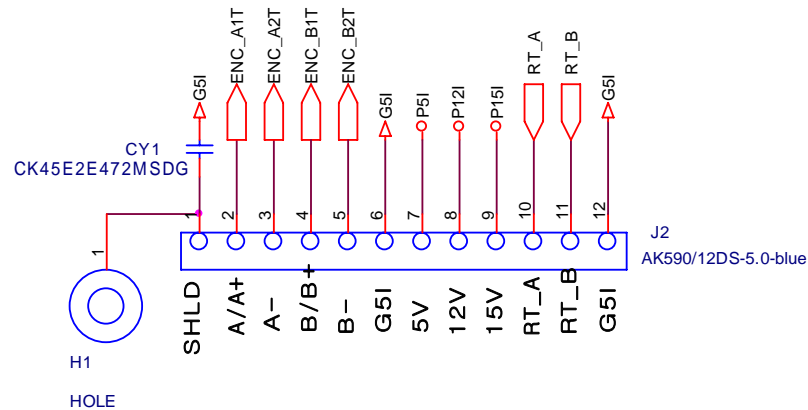


1. Encoder Board Description



2. Encoder terminal constitution



Picture 1. Encoder board terminal

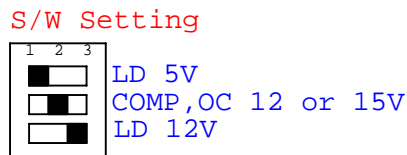
The picture 1 shows the terminal constitution of the encoder board.

From the left, Shield, A, A', B, B', G5I, 5V, 12V, 15v, RT_A, RT_B, G5I are shown and terminal signal is displayed on the PCB board each.

3. Encoder Signal transmission

1.1.1 Encoder input Signal transmission

The picture 2 below shows the encoder switch setting. Line Drive 5/12V type, Complementary, Open Collector 12/15V type can be set.



Picture 2. Encoder switch setting

4. OPEN COLLECTOR TYPE Wiring

Set S/W of the picture 2 above as OC 12 OR 15V and connect encoder signal of A phase and B phase to A/A+, B/B+ terminals..

Connect power to 5G and relevant power terminal.

5. LINE DRIVE connection

Set the S/W of the picture 2 above among LD 5V, LD 12V according to encoder power, connect encoder signal A+ phase, A- phase, B+ phase, B-phase to A/A+, A-, B/B+, B- terminals.

6. Encoder Signal Return Pulse Verification

Through RT_A, RT_B, receiving encoder Signal Return Pulse, output as Open Collector Type.